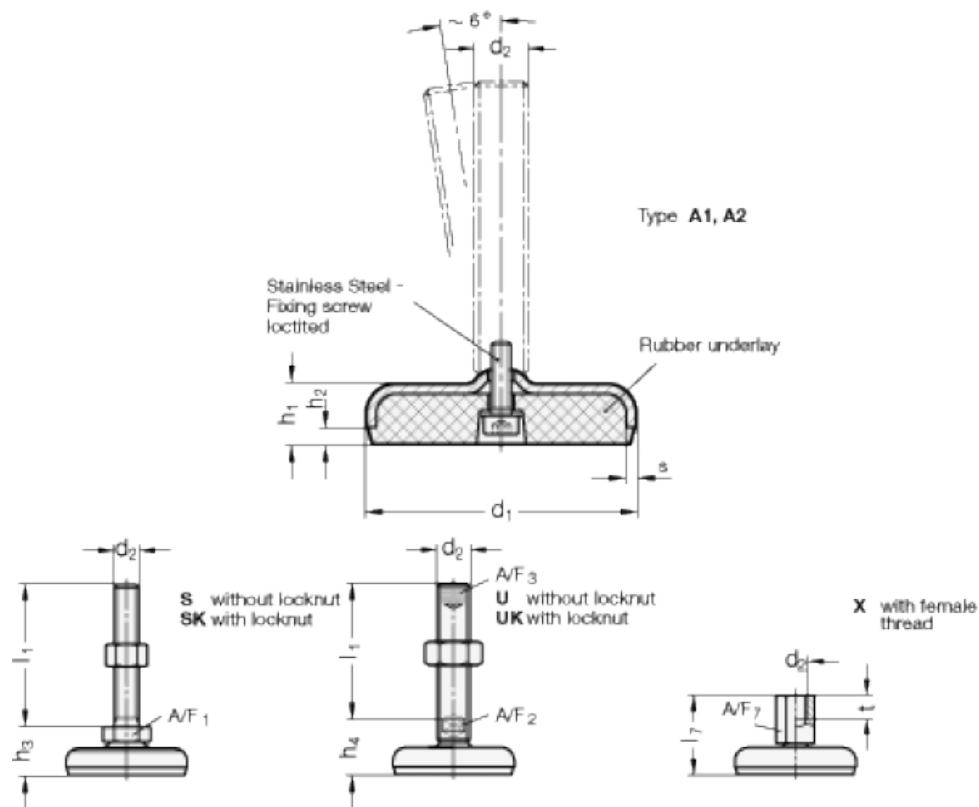


Article number: 2030100M24200A1U

Description: E+G levelling foot  
GN 30-100-M24-200-A1-U

Note: U Without nut, Hexagon socket at the top, Wrench flat at the bottom

## Measures



A/F2 = 19

s = 3

A/F3 = 12

$d_1$  = 100

$d_2$  = M24

$h_1$  = 20

$h_2$  = 6

$h_4$  = 38

$l_1$  = 200